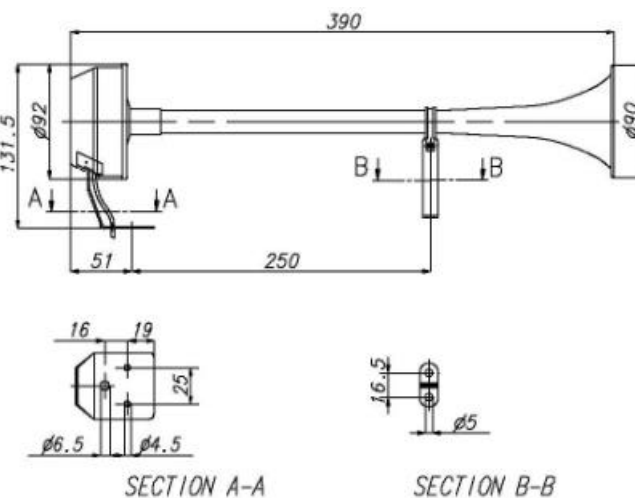


Main specifications and performances

▪ Nominal voltage _____	12	Vdc
▪ Voltage range _____	11,4-13,8	Vdc
▪ Current consumption _____	6	A
▪ Audible sound up to _____	1300	m
▪ Frequency _____	390	Hz
▪ Operating temperature _____	-30°C to +80	°C
▪ Storage temperature _____	-30°C to +80	°C
▪ Corrosion resistance (Salt spray test) _____	> 400	Hours
▪ Operating relative humidity _____	30 to 80	%
▪ Durability (1 sec ON, 4 sec OFF) _____	>50 000	Cycles
▪ Electrical insulation _____	500	Vdc
▪ Vibration (30 min, 3 axis) _____	1	g
▪ Weight _____	580	gr
▪ Main Materials _____	Stainless steel	
▪ Main applications _____	Marine	

Dimensions (mm)



Electrical connection

Fly leads

Ask the factory for different options

Other specifications

**Mechanical connection :** flat and rigid surface facing the pedestal. Use M6 or greater screw with washer

**Horn's Protection:** designed for external use.

**Packaging:**

- Color box L560 x L200 x H145 mm

**Brand Name:** FIAMM

Conformity to Standards of :

<b>PRODUCT</b>	✓ CEE 70/388
	✓ R. 28 ECE/ONU
	✓ DGM
<b>MANUFACTURING</b>	✓ ISO/TS 16949
	✓ ISO 9001
	✓ ISO 14001
	✓ QS 9000

